

KP IRVINE HOSPITAL

- Opened May 14, 2008 – 8 OR's, 8 LDR's, 24 Hour ED, 16 Bed ICU
- ECC (Emergency Command Center) is “MD Lunch Room”. Ham Radio Room located inside the ECC.
- ECC is located on Primary East Corridor next to the cafeteria. NOTE: ECC is not accessible from Cafeteria go out of Cafeteria to get to ECC. Orange sign above door.
- Ham Radio Room includes separate and unique DSL line, emergency phone, computer, ham radios, normal telephone.
- Key situation ongoing – will be similar to Anaheim with lock box in ECC to access radio equipment.

KP IRVINE HOSPITAL

2 METER

220 MHZ RADIO



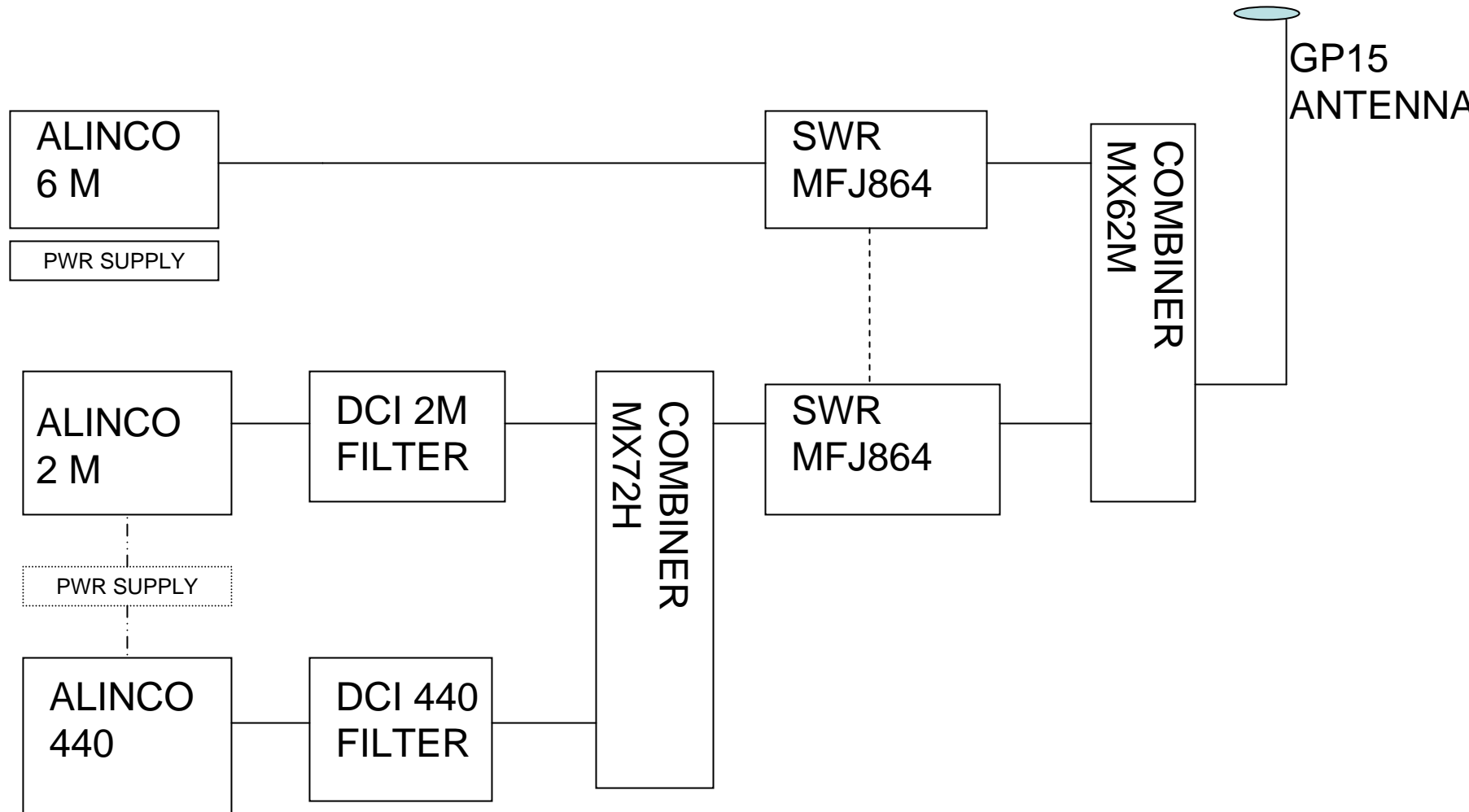
6 METER
RADIO

440 MHZ
RADIO

KPARN – KP IRVINE HOSPITAL RADIO CONFIGURATION

ANTENNA SINGLE LINE DRAWING

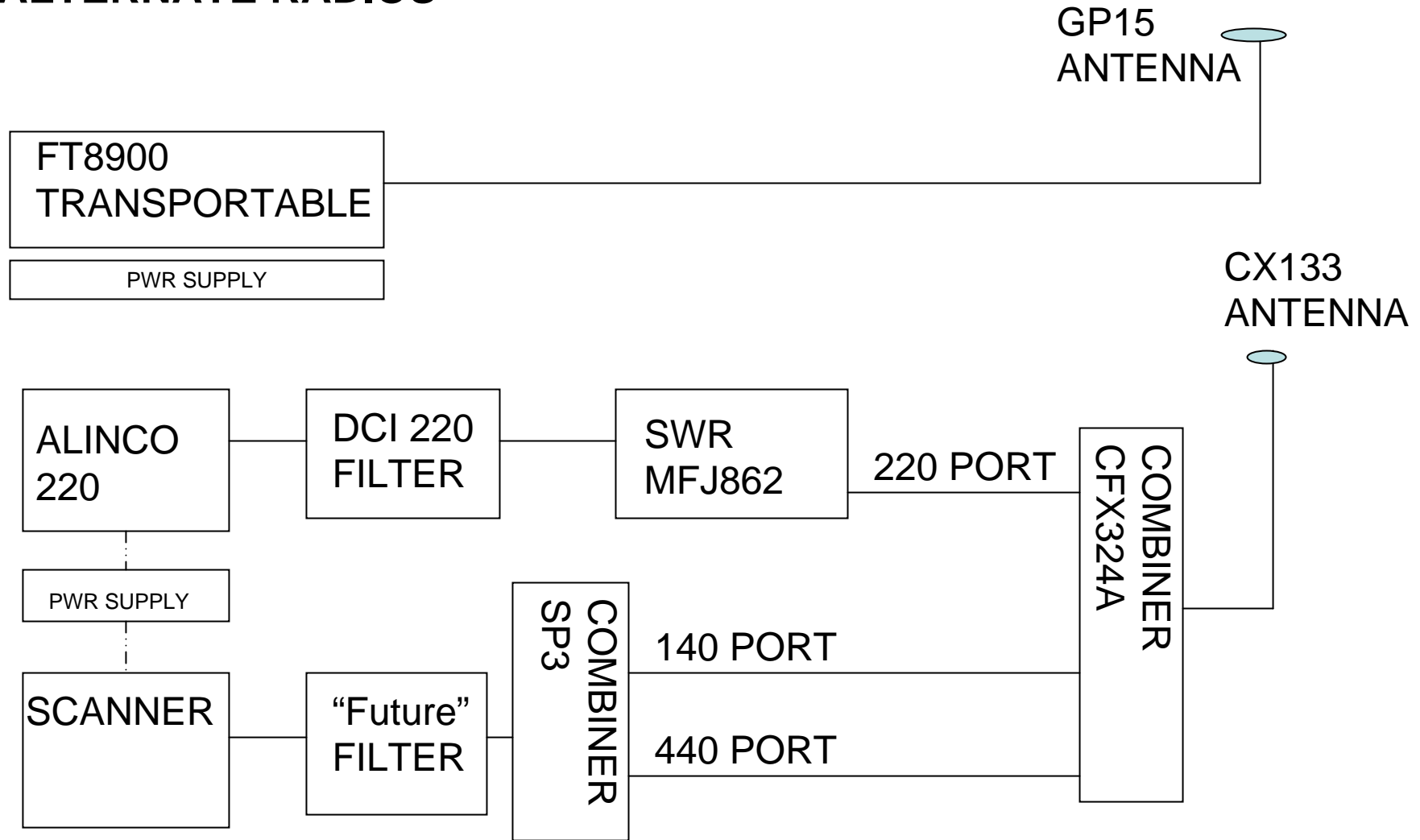
PRIMARY RADIOS



KPARN – KP IRVINE HOSPITAL RADIO CONFIGURATION

ANTENNA SINGLE LINE DRAWING

ALTERNATE RADIOS



KP IRVINE HOSPITAL

- 6 METER, 2 METER, 220 AND 440 MHZ RADIOS
- DIGITAL SCANNER (not yet programmed)
- YASEAU FT-8900 AS EMERGENCY BACK-UP
- 6 METER, 2 METER AND 440 TO ONE GP-15 ANTENNA ON ROOF
- 220 ANTENNA ALSO ON ROOF SHARED WITH SCANNER
- SECOND GP-15 ANTENNA ON ROOF FOR FT-8900
- THREE INDEPENDENT 12 VOLT POWER SUPPLIES
- RF WATTMETERS FOR PRIMARY RADIOS IN SECOND CABINET – PERMANENTLY IN LINE FOR CONTINUOUS OBSERVATION

KP IRVINE HOSPITAL

- All radios programmed with common KP and OC channels.
- Programming information on inside of radio cabinet doors.
- Primary Ham Radio Operational Plan
 - Log into and monitor KPARN network to link to other KP hospitals on 6 Meters
 - Log into and monitor OC HDSCS network
 - Use 2 Meters as required for local EOC's, etc
 - Use 2 Meters, 220 and 440 as directed to communicate with Orange County HDSCS network.