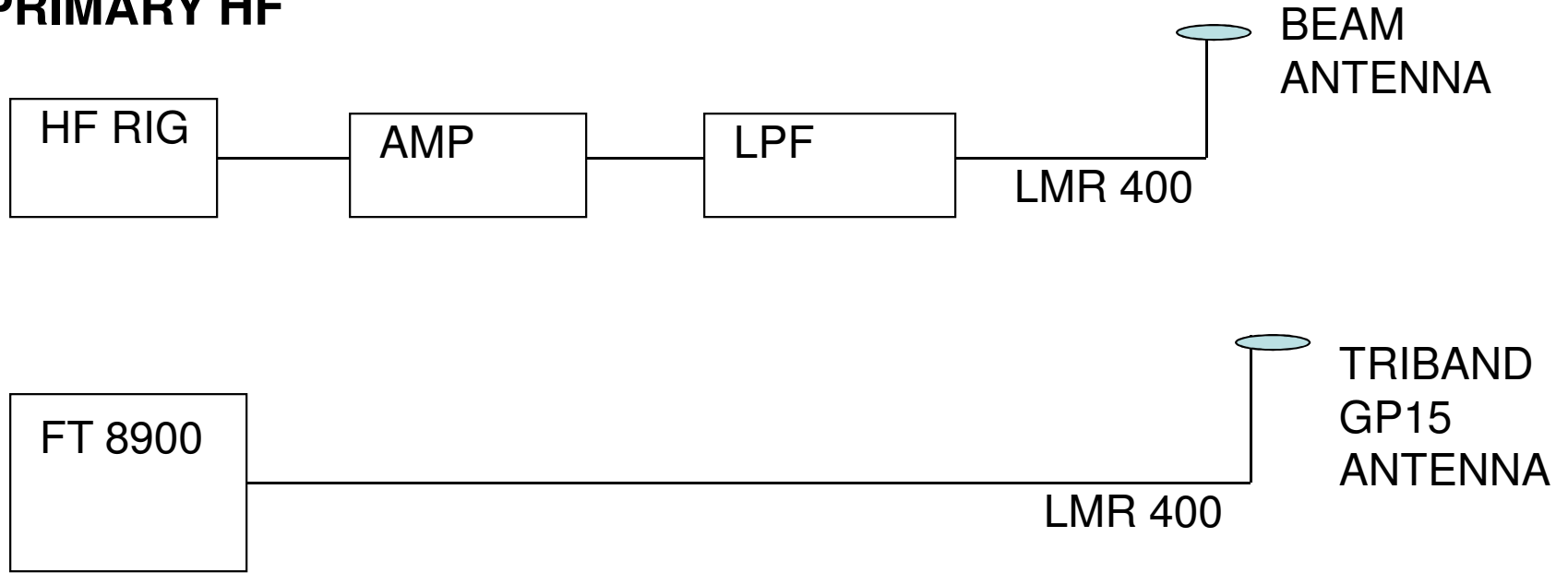


PASADENA RADIO OPERATOR POSITION ONE PRIMARY HF

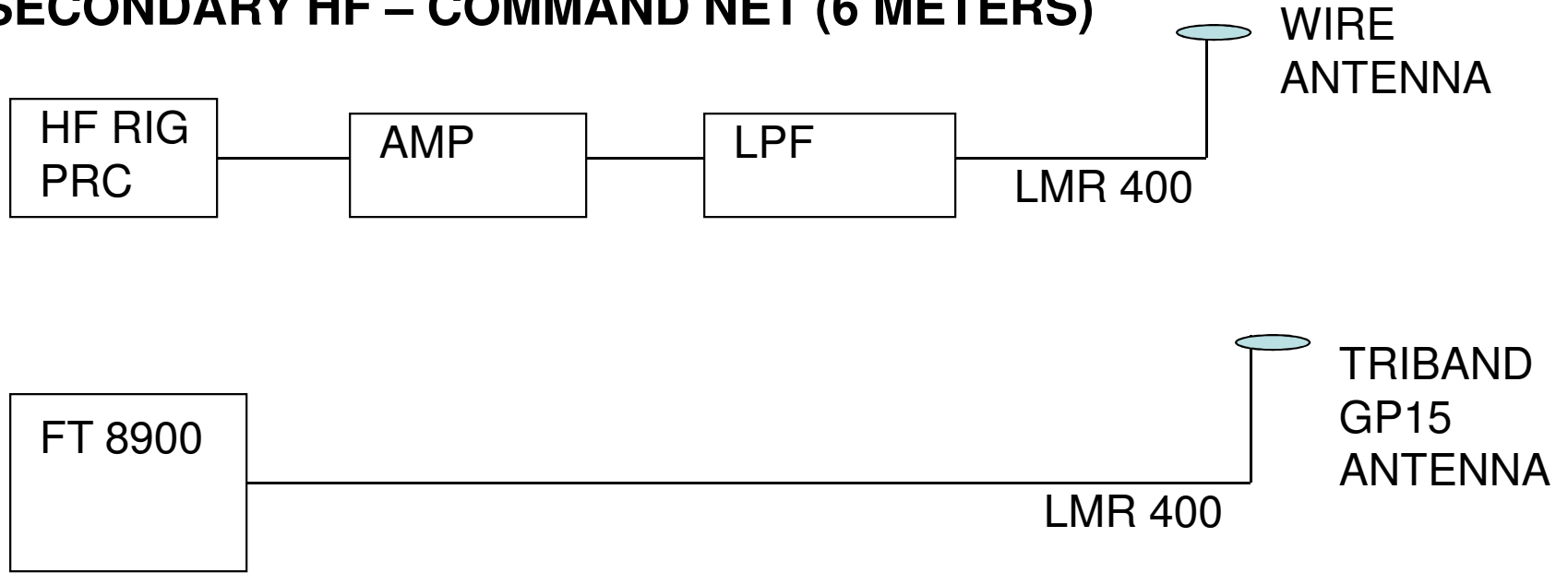


NOTE – SWR / POWER METER NOT SHOWN

NOTE – MAY INSTALL ANTENNA SWITCH FOR NVIS WIRE ANTENNA

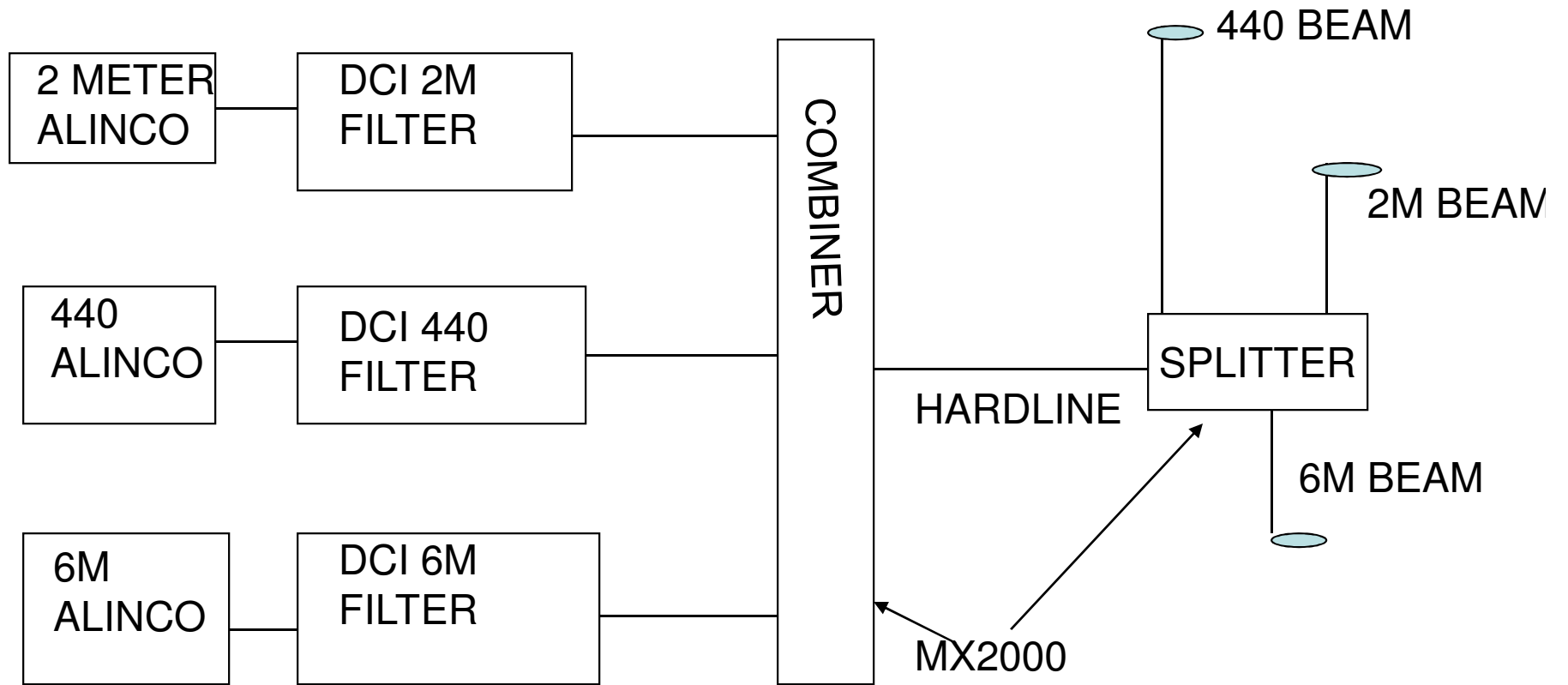
GENERAL NOTE – ASSURE HORIZONTAL SEPERATION OF ANTENNAS

PASADENA RADIO OPERATOR POSITION THREE SECONDARY HF – COMMAND NET (6 METERS)



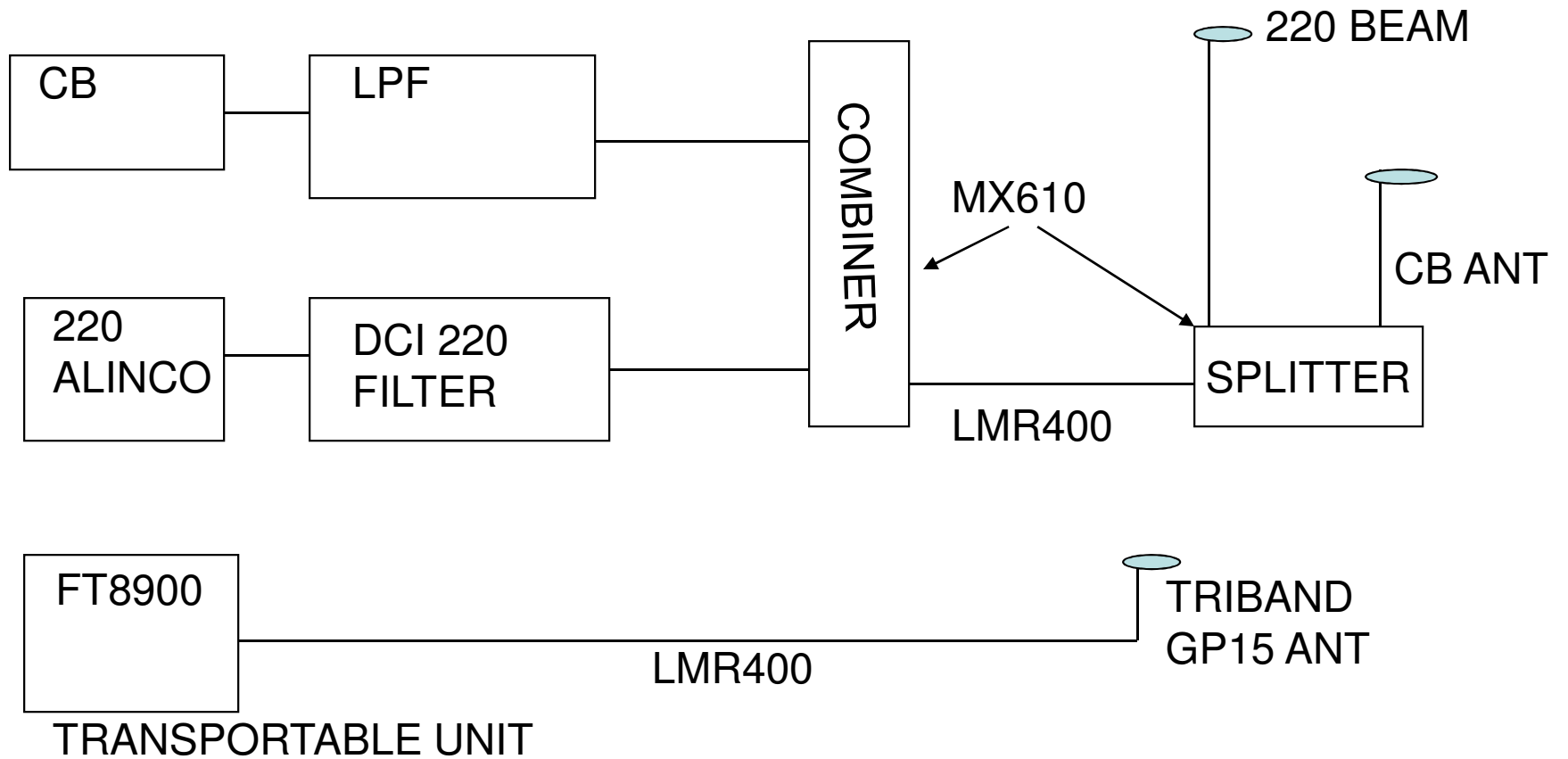
NOTE – SWR / POWER METER NOT SHOWN

PASADENA RADIO OPERATOR POSITION TWO TACTICAL AND INTEROP NETS



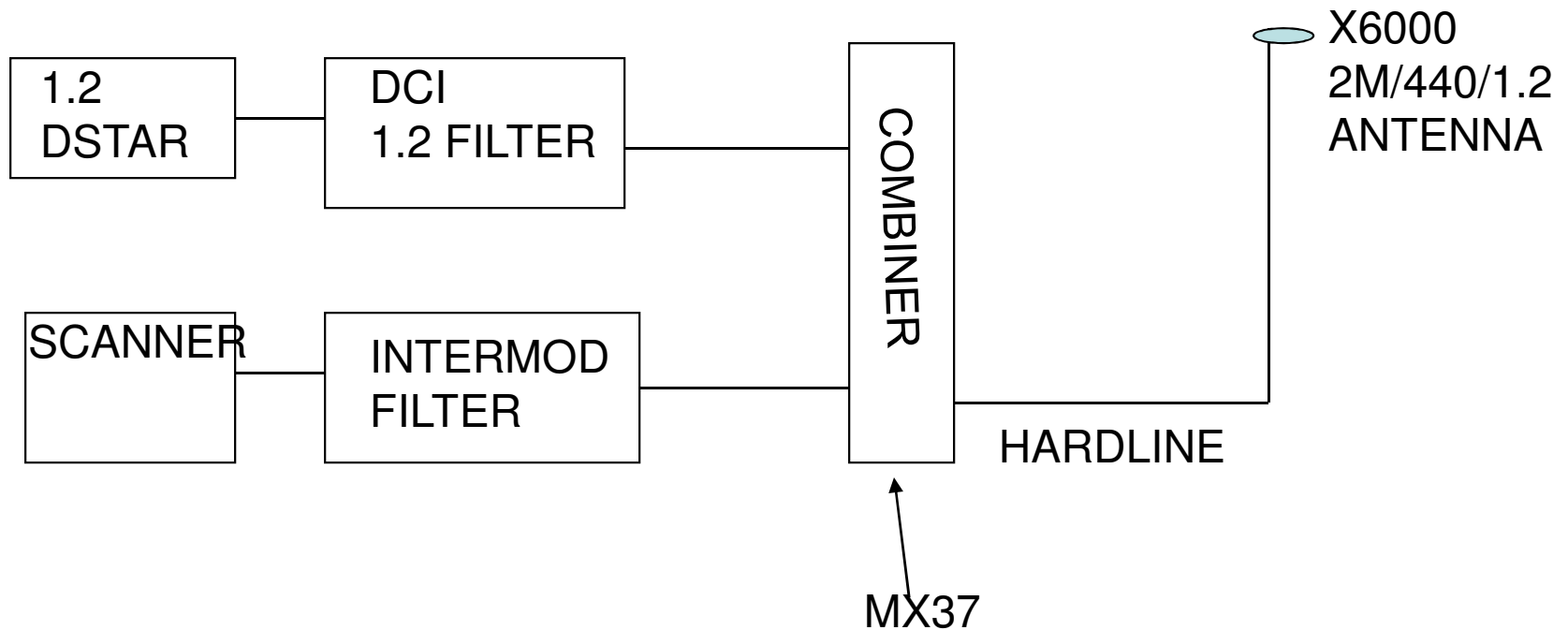
NOTE – SWR / POWER METER NOT SHOWN

PASADENA RADIO OPERATOR POSITION TWO TACTICAL AND INTEROP NETS



NOTE – SWR / POWER METER NOT SHOWN

PASADENA RADIO OPERATOR POSITION TWO TACTICAL AND INTEROP NETS



NOTE – IF EXTRA FEED LINES – SCANNER ON DISCONE ANTENNA
NOTE – SWR / POWER METER NOT SHOWN

KPARN PASADENA ROOF TOP ANTENNA SUMMARY

HF BEAM ANTENNA - STEPPIR

HF WIRE ANTENNA – B&W

CB ANTENNA

SCANNER DISCONE – IF SUFFICIENT CABLES

TRIBAND ANTENNA - GP-15 (3) (6/2/440) – 1 TOP OF BEAM, TWO BELOW

BEAM ANTENNA – 6 METER

BEAM ANTENNA – 2 METER

BEAM ANTENNA – 220

BEAM ANTENNA – 440

TRIBAND ANTENNA – X6000 (2/440/1.2) – BELOW BEAM

CABLE SUMMARY

HARDLINE (1”) – 3

LMR 400 - 5