

KP RIVERSIDE

10800 Magnolia Ave

Riverside, CA

92505

MAIN HOSPITAL – 951-353-2000

RIVERSIDE COUNTY

THOMAS GUIDE – 744-F1

33, 54, 26 LAT, -117, 28, 09 LONG



KP RIVERSIDE

RADIO ROOM AND
PRIMARY HCC
LOCATED IN
MOB 2
FIRST FLOOR
CONFERENCE ROOM
MC-1C



KP RIVERSIDE
HOSPITAL
COMMAND
CENTER

RADIO
EQUIPMENT
BACK CLOSETS
WITH DOORS



KP RIVERSIDE

HOSPITAL
COMMAND
CENTER

DOOR TO
KPARN RADIOS

SECURITY
HAS 24 HOUR
ACCESS



KP RIVERSIDE

RADIO AREA
WITH CLOSET
DOOR OPEN

PRIMARY
SINGLE BAND
ALINCO RADIOS
AND WATTMETER
AND POWER
SUPPLIES

BACK-UP
KENWOOD
RADIO
AND POWER
SUPPLY



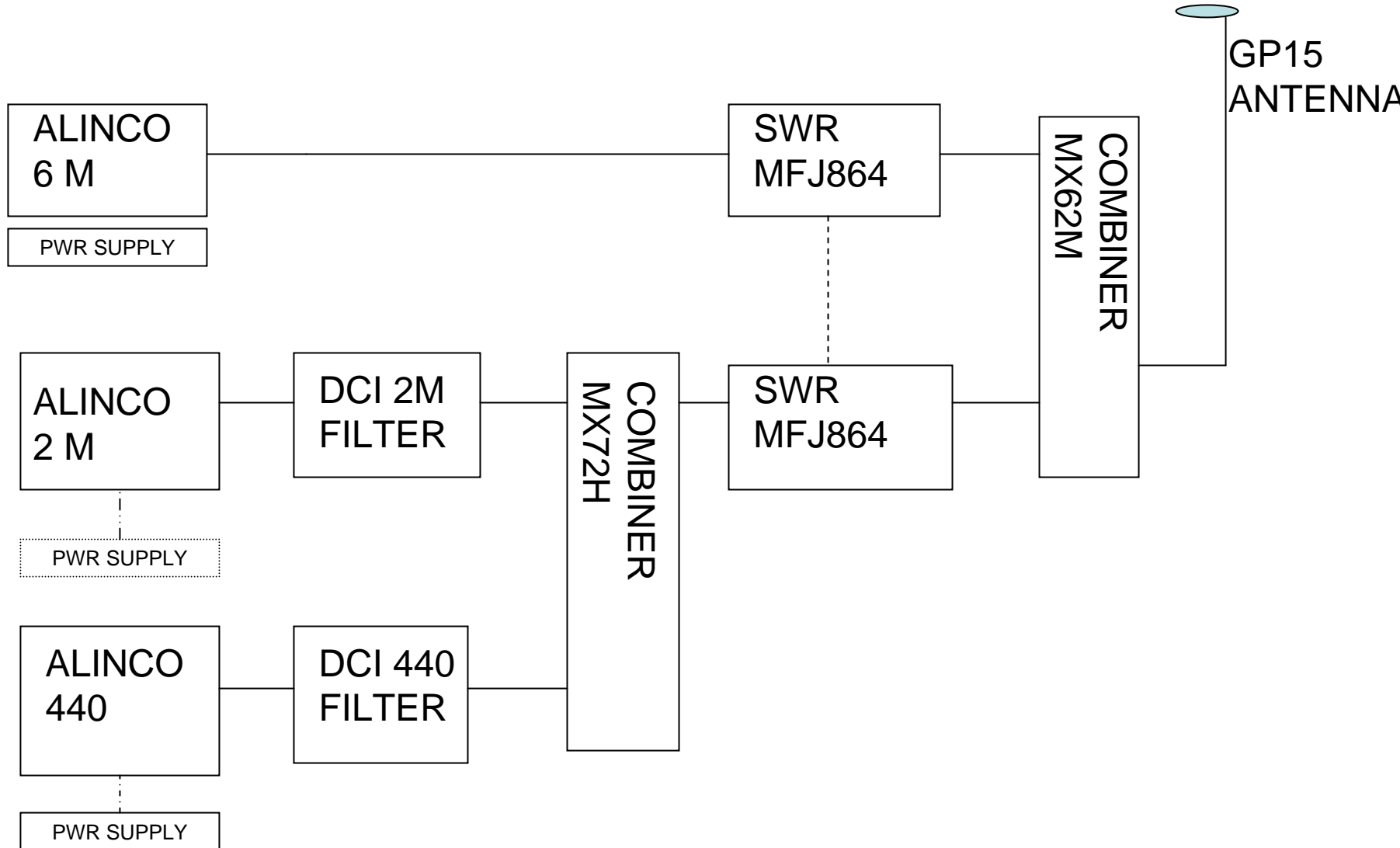
KP RIVERSIDE

CLOSE-UP OF INSTALLED ALINCO SINGLE BAND RADIOS

KPARN – KP RIVERSIDE MEDICAL CENTER RADIO CONFIGURATION

ANTENNA SINGLE LINE DRAWING

PRIMARY RADIOS





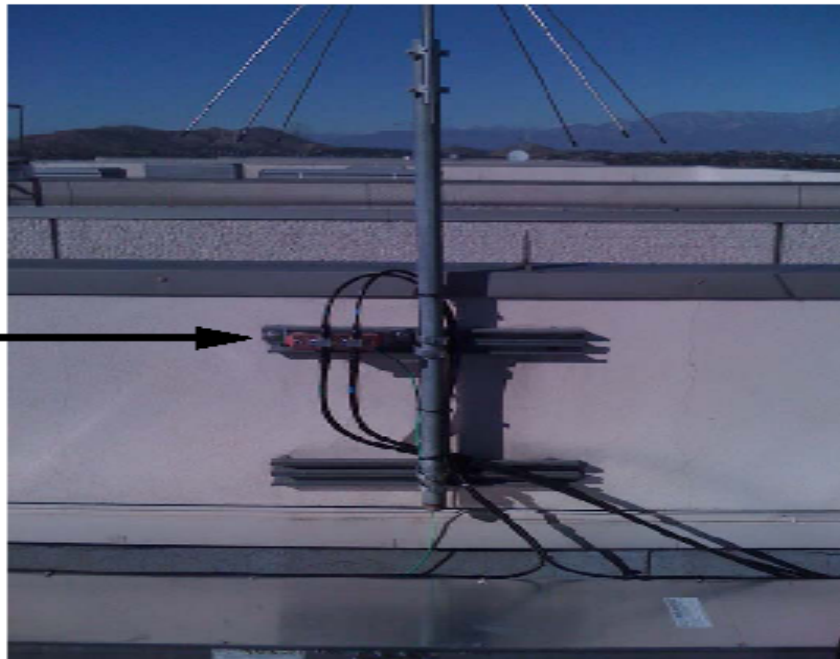
Cable Entry Weatherheads

← Before

After →



EMP/Ground Bus →



RIVCOMM, LLC

1330 Dodson Way Riverside, CA 92507
951-328-0211 VOICE 951-328-8681 FAX

12-2009

Date

CJR

Made

**Kaiser Permanente-Riverside
MOB Roof Amateur Antennas**

Location



GP-15 Antenna on north end of MOB Roof



GP-15 Antenna on south end of MOB Roof



KP RIVERSIDE

MEDNET
OR
HEAR
RADIO
ALSO IN CLOSET

NOT SURE OF
OPERATIONAL
STATUS