


# **KP SAN DIEGO “ZION”**

- KP SAN DIEGO – TACTICAL CALL SIGN IS “ZION”

# FOLLOW CAFETERIA SIGNS TO RADIO STATION



← Medical Offices  
Cafeteria  
Classrooms 2-4

← Decedent Affairs  
Hospital Records  
Laboratory  
Pathology

# ACCESS

PHONE ON WALL IN  
CAFETERIA

FOLLOW SIGNS IN  
HOSPITAL TO  
CAFETERIA

**USE PHONE TO CALL  
SECURITY AT X5396**

REQUEST A SECURITY  
SUPERVISOR KEY SET  
TO OPEN HAM RADIO  
CABINET NEXT TO  
CLASSROOM FOUR





CLASSROOM 4  
IS THE HCC  
DURING AN EVENT

ACCESS TO HAM  
RADIO STATION



ROOM  
HAM RADIO  
STATION IS  
LOCATED



AMATEUR RADIO  
STATION IS  
BEHIND THIS  
ROLL UP DOOR

ACCESS IS VIA  
KEY SWITCH

WHICH RAISES  
ROLLER DOOR

KEY SWITCH  
FOR DOOR



KEY SWITCH  
OPENS ROLLER  
DOOR

KEY IS NUMBER  
45024 ON  
SECURITY  
SUPERVISOR  
KEY RING



**LEFT SIDE  
RADIOS**

**CONNECTED  
TO GP15  
VERTICAL ON  
TOP OF TOWER**

**HOSPITAL  
INTERNAL  
DISASTER  
RADIOS**

**6 METER,  
2 METER,  
440 SINGLE  
BAND RADIOS**

**INLINE  
WATTMETER**



LEFT  
SIDE

UNDER  
COUNTER

POWER  
SUPPLIES –  
ONE PER  
RADIOS

DCI 2 METER  
AND 440  
INLINE FILTERS





COUNTERTOP

HF STATION

RED PHONE  
FOR HAM  
STATION





UNDERCOUNTER  
RIGHT SIDE

TWO SWITCHING  
POWER SUPPLIES  
FOR 440 AND 2M  
RADIOS

DCI IN LINE FILTERS  
FOR 2 METERS AND  
440

LINEAR POWER  
SUPPLY FOR HF



GP15

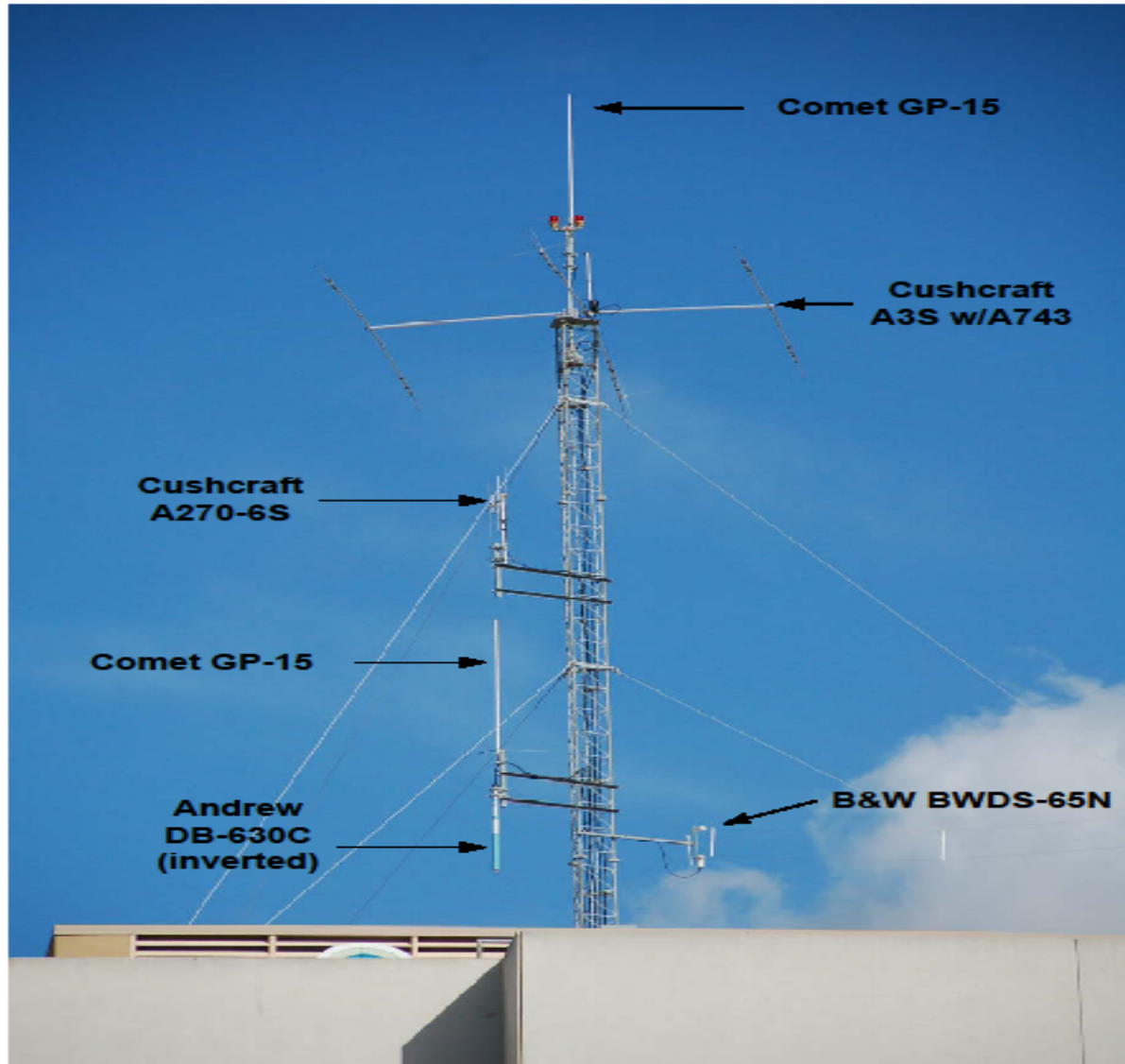
HF TRIBANDER

2M/440 THREE  
ELEMENT BEAM

B AND W  
ALL BAND  
WIRE ANTENNA

GP-15





**RIVCOMM, LLC**

1330 Dodson Way Riverside, CA 92507  
951.328.0211 Voice 951.328.6681 FAX

**FEB2010**

Date

**CJR**

Made

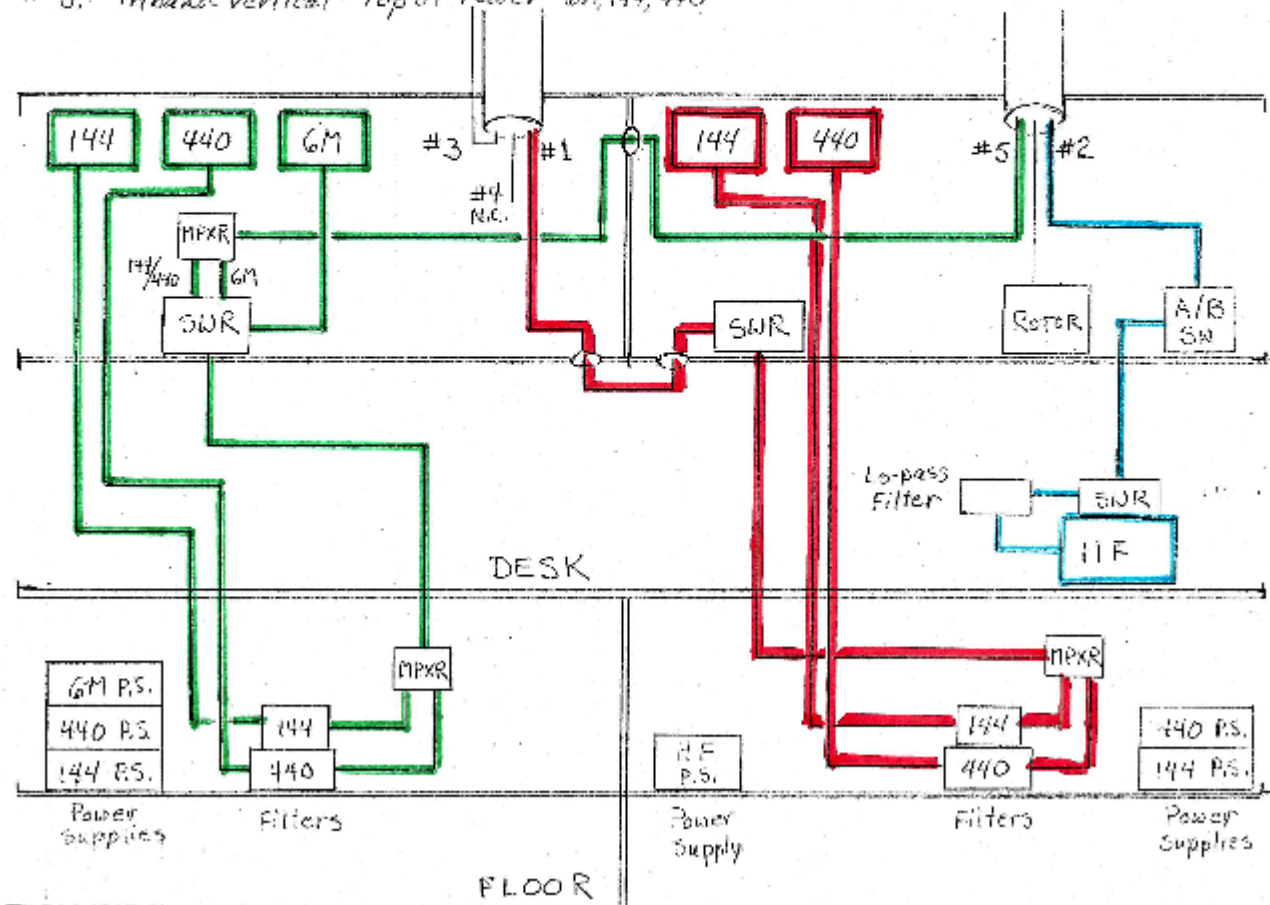
**Kaiser Permanente San Diego**  
Roof-top Tower viewed from south looking north

Location

ANTENNAS:

- # 1. 440 and 144 amps; 3 el 440/144 yagi at 315°
- # 2. 3 el 65 ft. wire antenna - BWDS-65N  
3 el tri band yagi with 40M extension - A33
- # 3. Disaster repeater - for inside hospital - DB 630C
- # 4. No connection
- # 5. Tri band vertical - top of tower 6M, 144, 440

RADIO STATION - BLOCK DIAGRAM  
 HOSPITAL COMMAND CENTER (HCC)  
 KAMSER - ZION HOSPITAL, SAN DIEGO

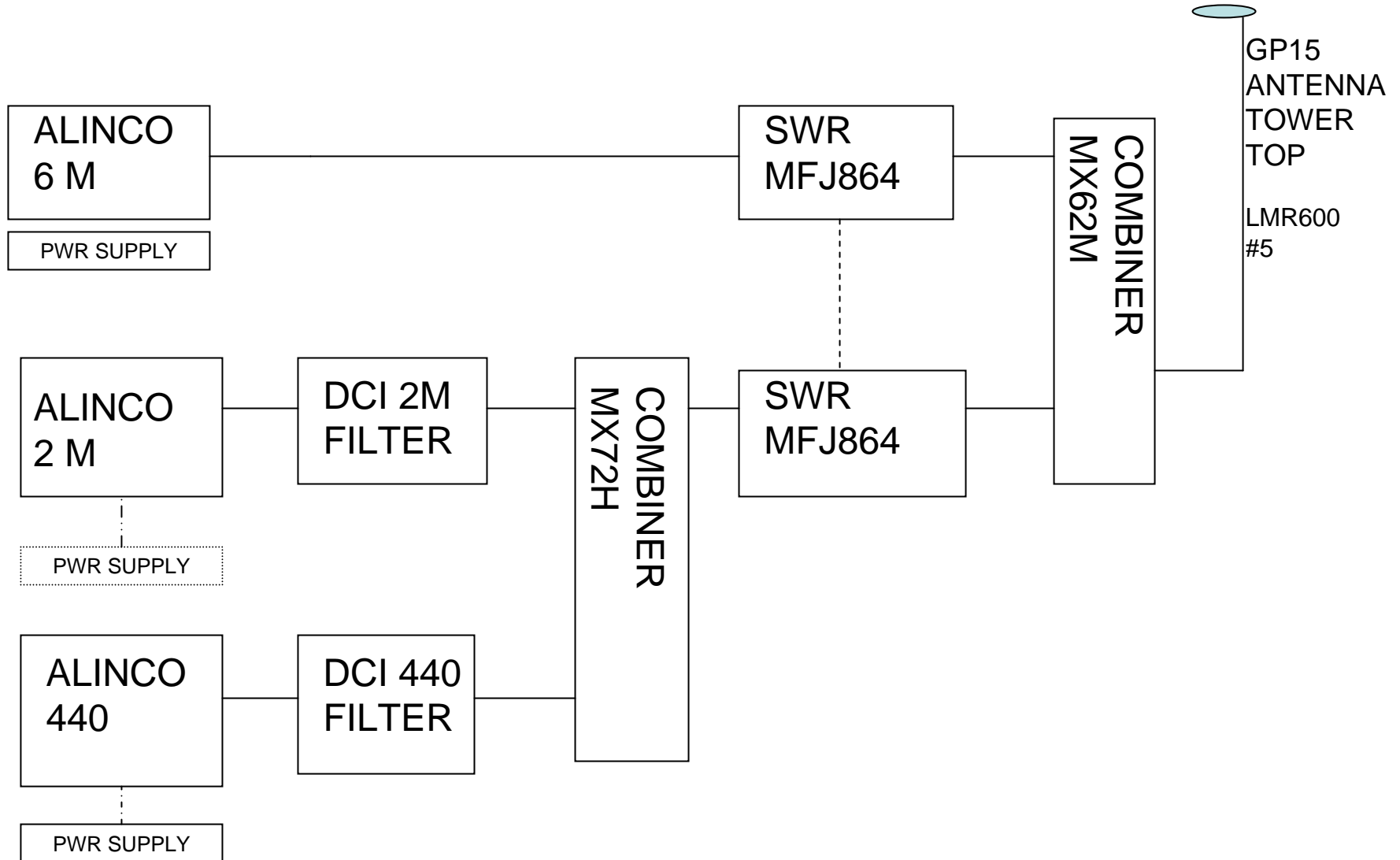


WTP  
 May 5  
 2010

# KPARN – KP SAN DIEGO RADIO CONFIGURATION

## ANTENNA SINGLE LINE DRAWING

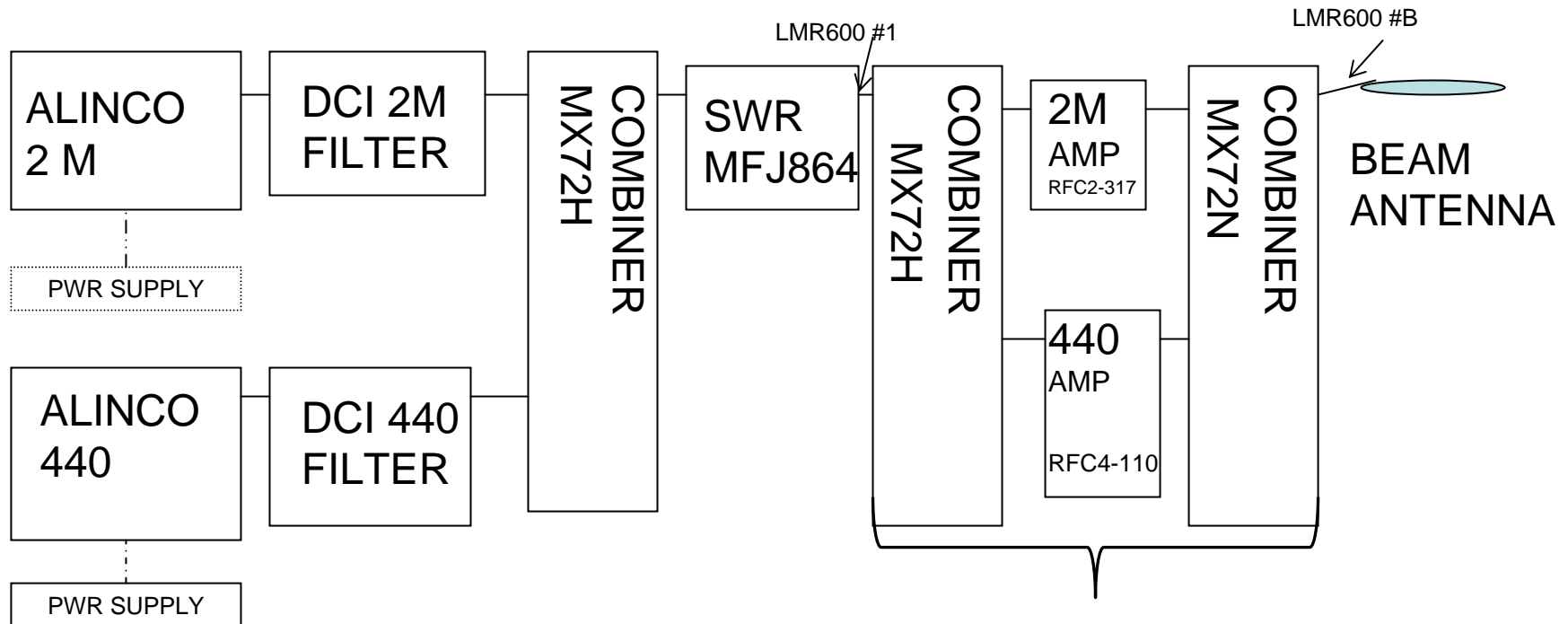
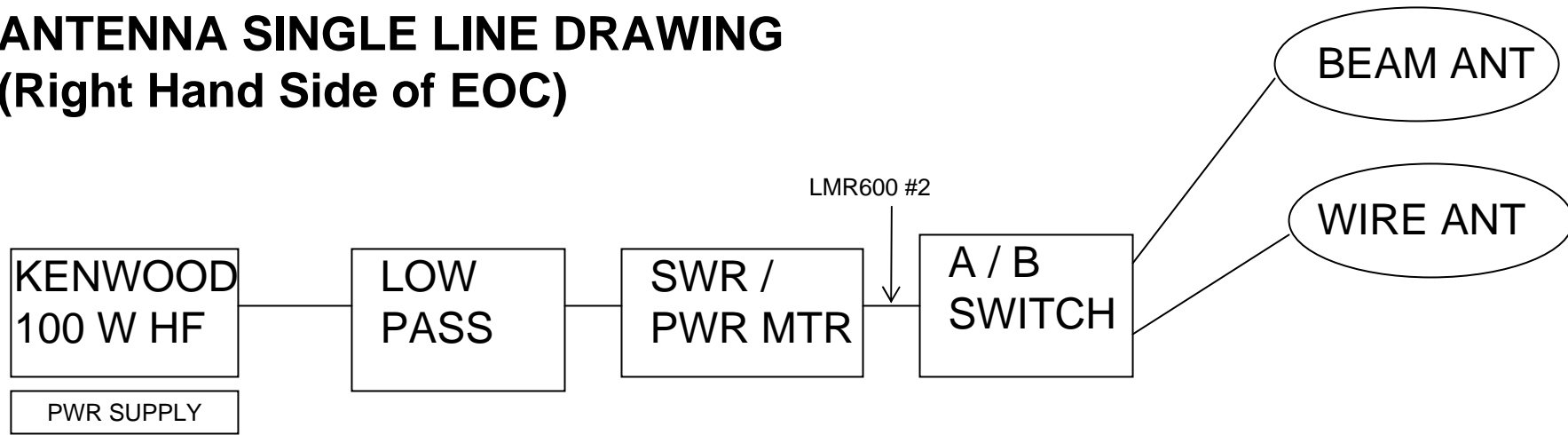
### PRIMARY RADIOS (Left Hand Side of EOC)



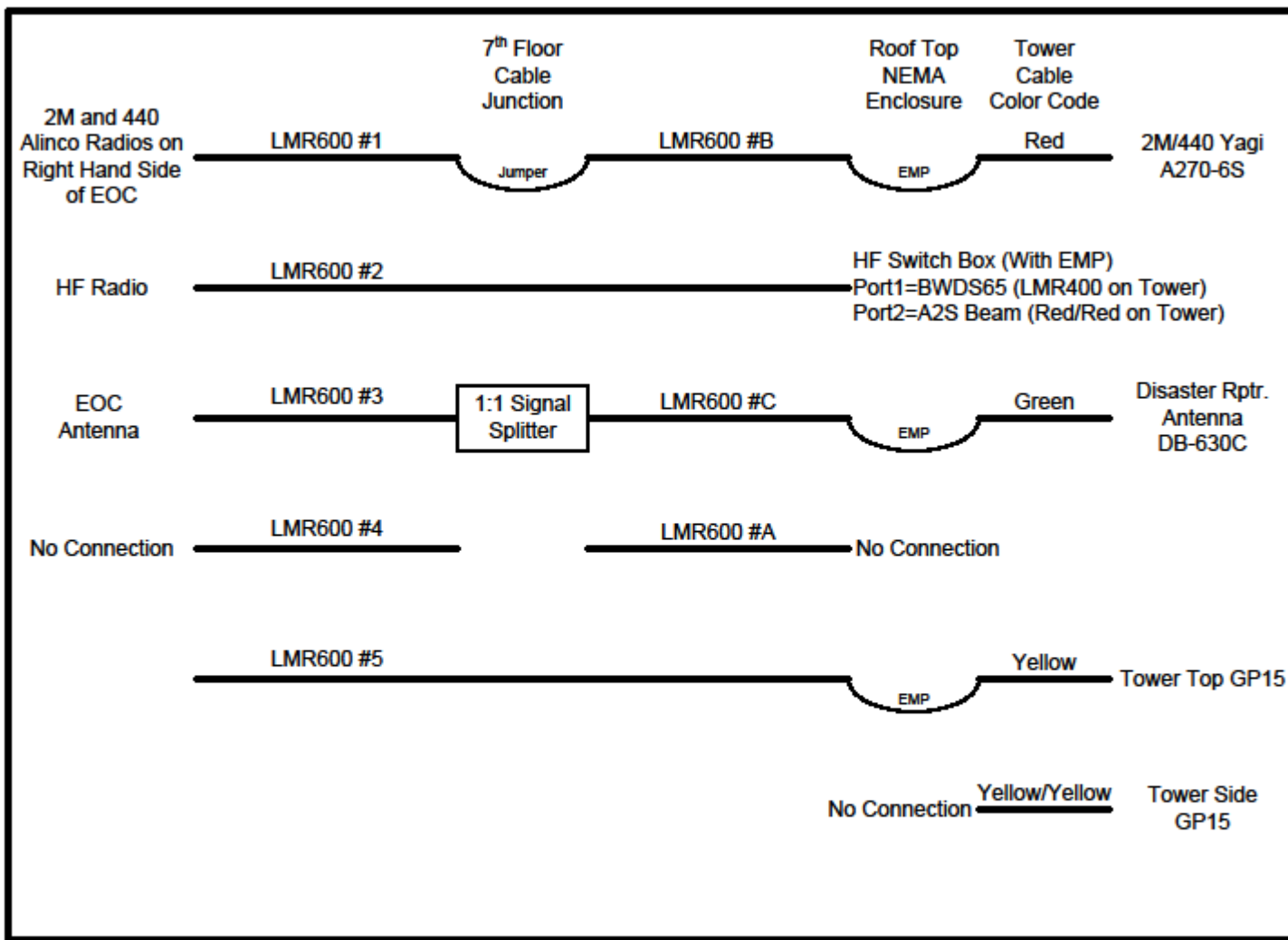
# KPARN – KP SAN DIEGO RADIO CONFIGURATION

## ANTENNA SINGLE LINE DRAWING

(Right Hand Side of EOC)



Above Equipment located on 7<sup>th</sup> Floor



**Rivcomm, LLC**

1330 Dodson Way  
Riverside, CA 92507  
951.328.0211

Date  
February 2010

Made  
CR

**Kaiser Permanente-San Diego (Zion)**  
Antenna Cables v.s. Equipment  
Roof Top Tower